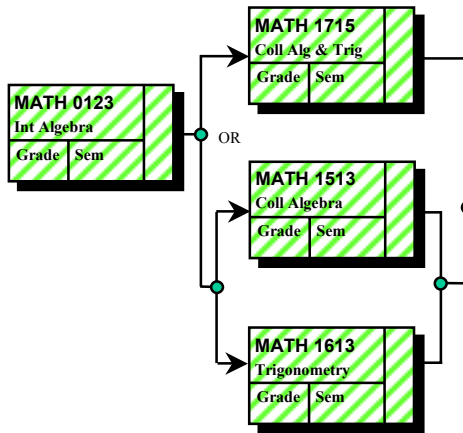


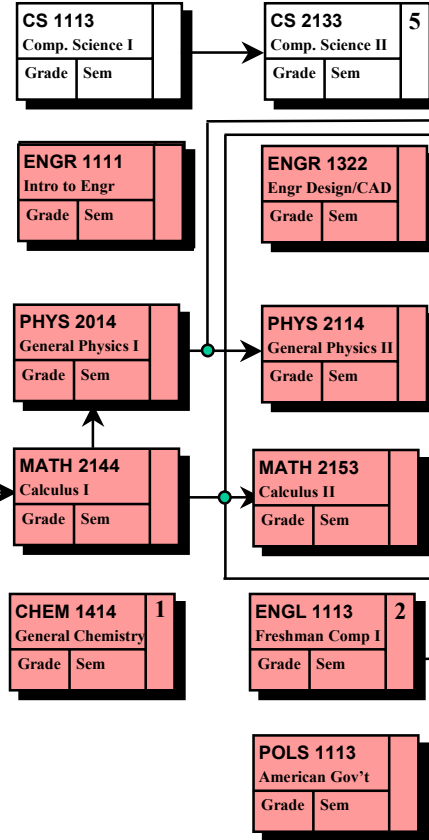
Name:
Advisor:

Preparatory Courses

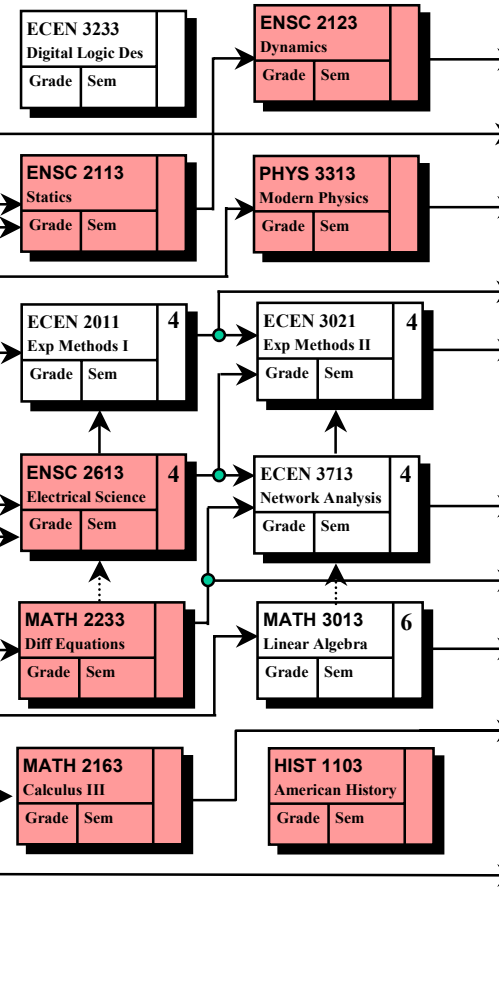


Freshman Year

Shaded areas indicate Common Engineering Curriculum requirements and General University requirements. Unshaded areas are Professional School requirements.



Sophomore Year



Admission Requirements for the Electrical Engineering Professional School.

To be admitted into ECEN Professional School - to be eligible to take the upper level ECEN courses - the student shall have met the Professional School requirements. They are:

- Completion of at least 60 college level semester credit hours (SCH).
- Completion of at least 12 SCH from OSU.
- Completion of at least 59 SCH from the Pre-Professional School courses.
- Completion of MATH 2144, 2153, 2163, 2233, 3013, and 4013; PHYS 2014 and 2114; CHEM 1314; two Pre-Professional ENSC courses, ECEN 3713 and 3021; ENGL 1113 or 1313, and, if required, ENGL1213 or 1413.
- An overall GPA of 2.6 or better at OSU.
- A GPA of 2.7, or better, in all of the college-level math, science and engineering courses which you have taken at OSU and which are required for the B.S. in Electrical Engineering. These courses depend on your ECEN degree option; but, include MATH, STAT, PHYS, CHEM, BIOL, GEOL, ENGR, ENSC, ECEN, etc.
- A final grade of "C" or better in each of the above technical and English courses.

NOTE: This flow chart is for planning purposes only. Students matriculating in 2004 must meet the degree requirements as stated on the official degree requirement sheet dated "Academic Year 2003-2004."

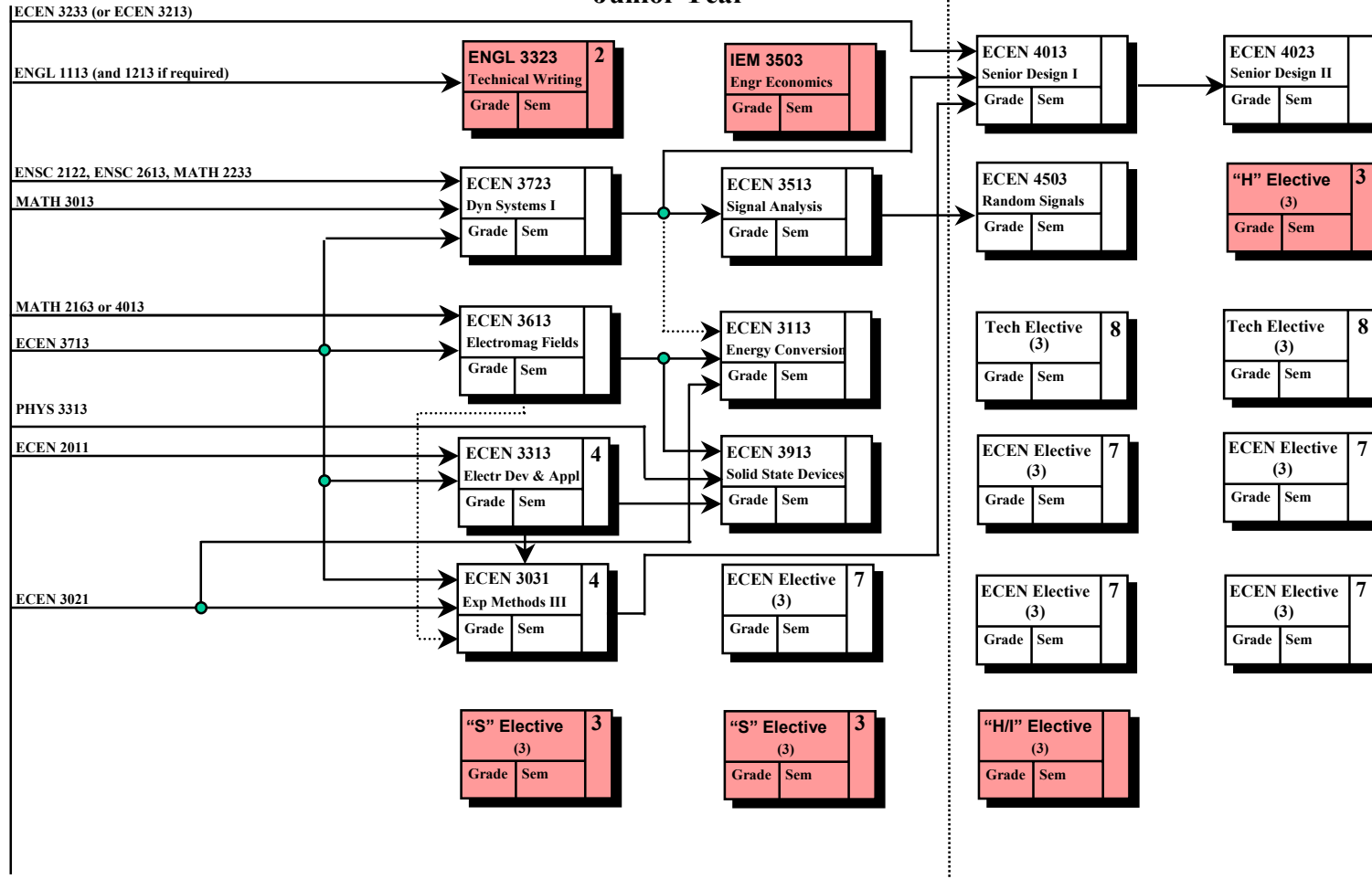
Solid horizontal arrows indicate official prerequisites, vertical ones corequisites. Dotted arrows indicate suggested prerequisites/corequisites.

1. Chemistry 1515 may be substituted for CHEM 1414 and should be taken by all students considering medical school.
2. Students with less than a "B" in ENGL 1113 or 1313 must take ENGL 1213 or 1413; **in addition to ENGL 3323.**
3. A total of at least 6 hours designated "H" and 6 hours designated "S" are required. The total (H) and (S) program must satisfy ABET requirements. Of these, 3 hrs must meet the International Dimension "I". Consult the College approved list for courses that qualify.
4. ENSC 2613 and ECEN 2011 should be taken concurrently; likewise for ECEN 3713 and 3021 and for ECEN 3313 and 3031.
5. CS 2432 (C Programming) and CS 2351 (Unix Programming) may be taken instead of CS 2133 (Computer Science II).
6. Or other math elective - consult requirements sheets and departmental advisor.

Name:

Advisor:

PREREQUISITES



MASTER'S PROGRAMS

Criteria for admission to the Graduate College to pursue the Master of Science or Master of Electrical Engineering include:

1. receive a B.S. degree from an accredited institution (the Bachelor of Science degree or certification in an accredited engineering program is required for the Master of Electrical Engineering degree).
2. academic performance in undergraduate work at a level that indicates a high probability of success in a graduate program requiring a 3.0/4.0 minimum grade point average.
3. recommended for admission to the Graduate College by a Professional School in the College of Engineering.

For further information, contact the School or the Office of the Dean of Engineering.

A flexible study plan is designed to meet each student's individual goals.

7. Five ECEN courses (15 credits) from combinations on the departmentally-approved list.
8. Any engineering course at the 3000 or 4000 level. Alternatively, courses from mathematics, statistics, computer science, or other departments may be used with permission. ENSC 2213 and 2143 also may be used as technical electives.

NOTE:
I. Grade point in major is defined to cover all courses taken listed on the "right-hand column" of the requirement sheet.