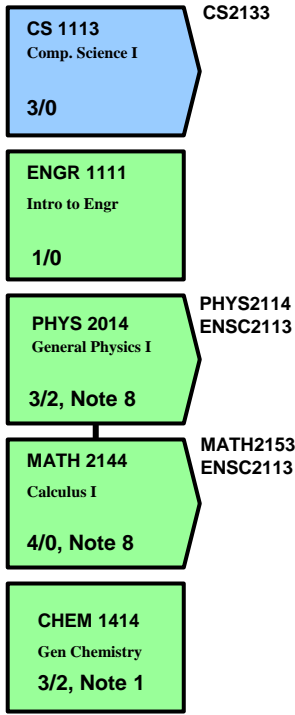


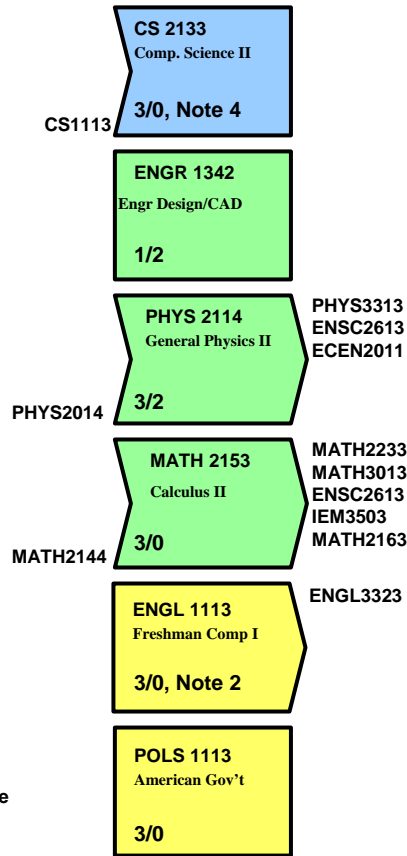
## Semester 1

16 SCH, 48 hours/week



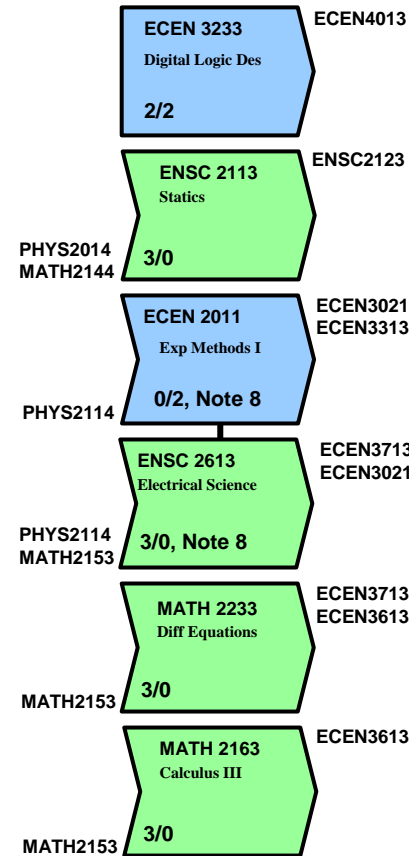
## Semester 2

18 SCH, 54 hours/week



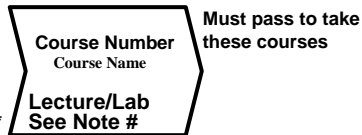
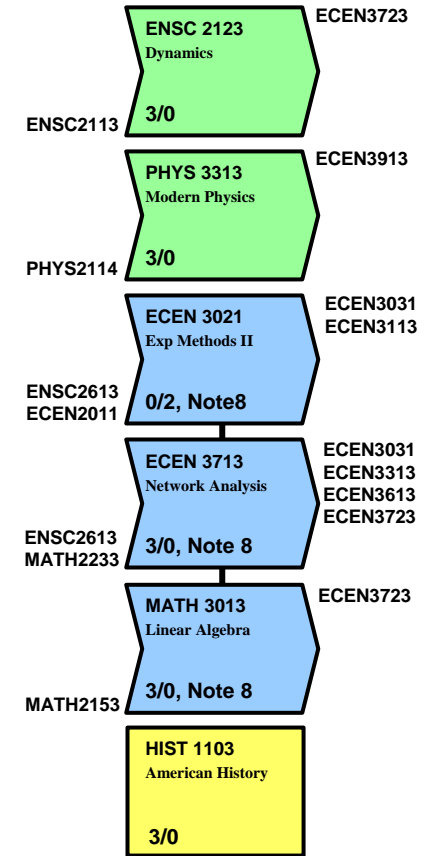
## Semester 3

16 SCH, 48 hours/week

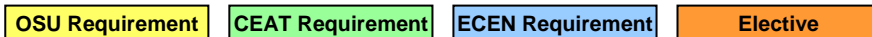


## Semester 4

16 SCH, 48 hours/week



\*Only the last prerequisite in a sequence is listed. All earlier prerequisites must also be satisfied before taking the course.



### Four Year Suggested Course Plan

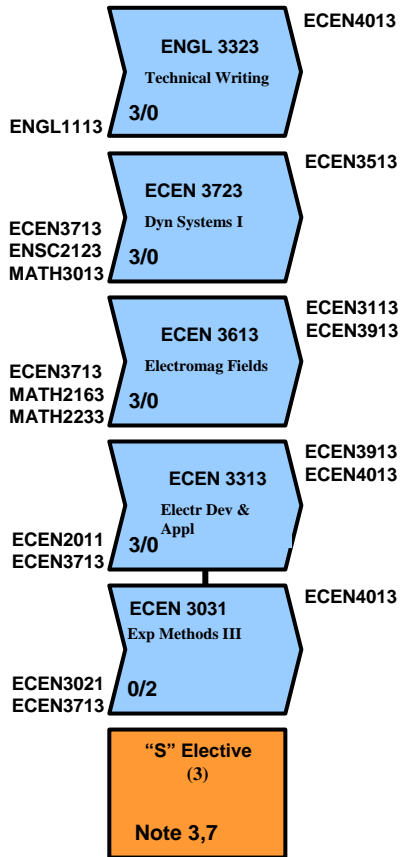
The anticipation at OSU and most institutions of higher education is that for one student credit hour (SCH) the student spends one hour per week in lecture (two for lab courses) and two hours studying outside of class (one for lab courses). A three credit hour class requires, on average, nine hours per week. This study plan is recommended for students who will devote full time to university studies and do not have an external job, extracurricular activities, or other obligations that will take up more than ten hours per week.

### NOTES:

- 1) Chemistry 1515 may be substituted for CHEM 1414 and should be taken by all students considering medical school.
- 2) Students with less than a "B" in ENGL 1113 or 1313 must take ENGL 1213 or 1413 prior to ENGL 3323.
- 3) A total of at least 6 hours designated "H" and 6 hours designated "S" are required. Of these, 3 hrs must meet the International Dimension "I". Consult the College approved list for courses that qualify.
- 4) CS 2432 and 2351 may be taken instead of CS 2133.
- 5) Must follow Area of Specialization requirements.
- 6) Must be approved by ECEN advisor.
- 7) Must be at least 3 SCH.
- 8) Line indicates this course has a co-requisite and must be taken with other courses.

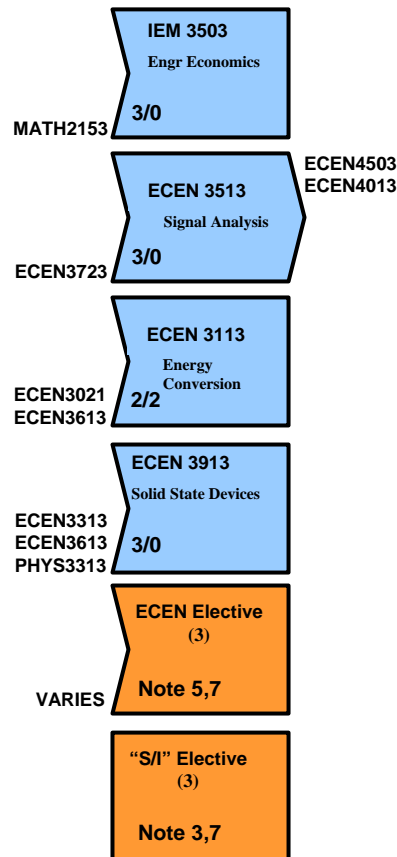
## Semester 5

16 SCH, 48 hours/week



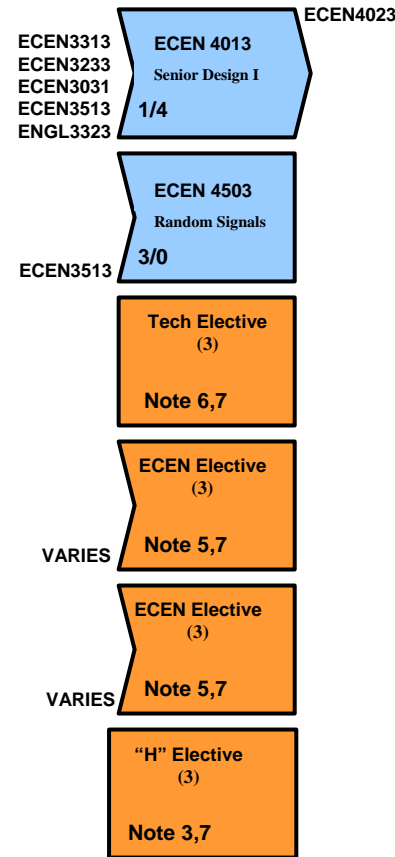
## Semester 6

18 SCH, 54 hours/week



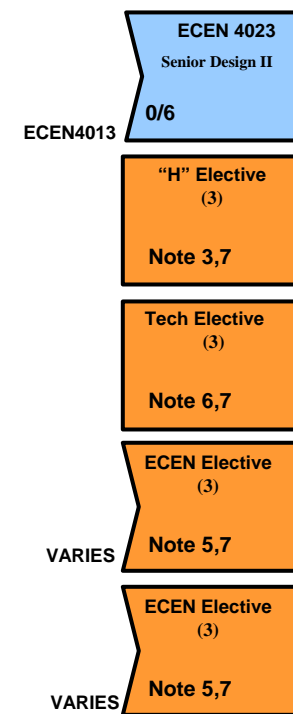
## Semester 7

18 SCH, 54 hours/week



## Semester 8

15 SCH, 45 hours/week

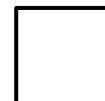


### Professional School Entry Requirements:

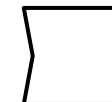
- Completion of at least 60 college level semester credit hours (SCH).
- Completion of at least 12 SCH from OSU.
- Completion of MATH 2144, 2153, 2163, 2233, 3013; PHYS 2014 and 2114; CHEM 1414; ENGR 1111, 1342; ENSC 2113, 2123, 2613, ECEN 3713, 3021; ENGL 1113 or 1313.
- An overall GPA of 2.6 or better at OSU.
- A GPA of 2.7, or better, in all of the college-level math, science and engineering courses required for the B.S. in Electrical Engineering.



No prerequisites, not prerequisite for another class



No prerequisites, is prerequisite for another class



Has prerequisites, is prerequisite for another class



Has prerequisites, not prerequisite for another class