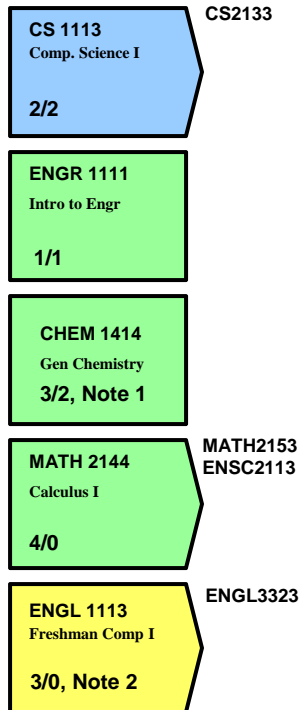
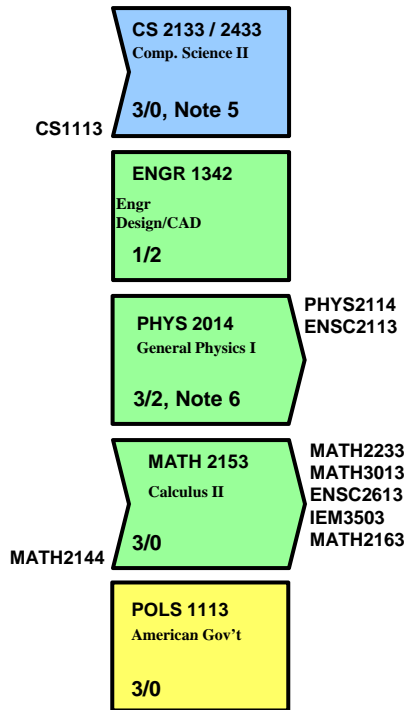


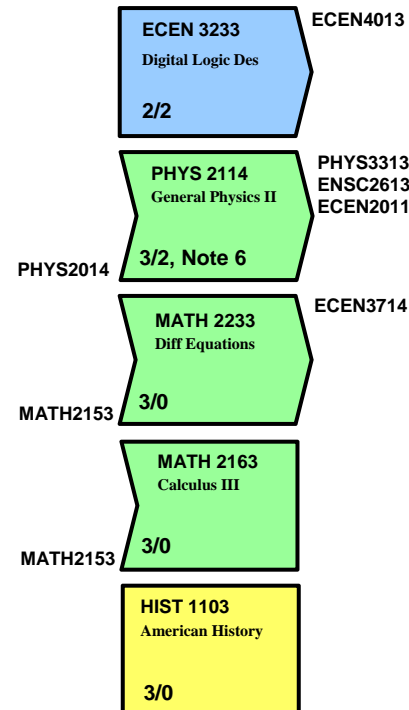
**Semester 1  
15 Credit Hours**



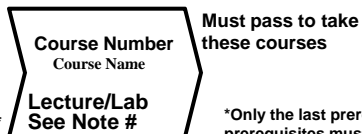
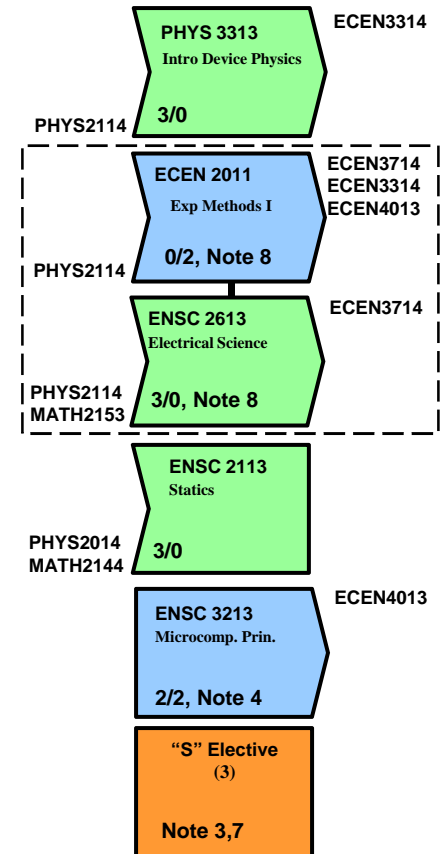
**Semester 2  
15 Credit Hours**



**Semester 3  
16 Credit Hours**



**Semester 4  
16 Credit Hours**



Must pass to take these courses

Prerequisites\*

\*Only the last prerequisite in a sequence is listed. All earlier prerequisites must also be satisfied before taking the course.

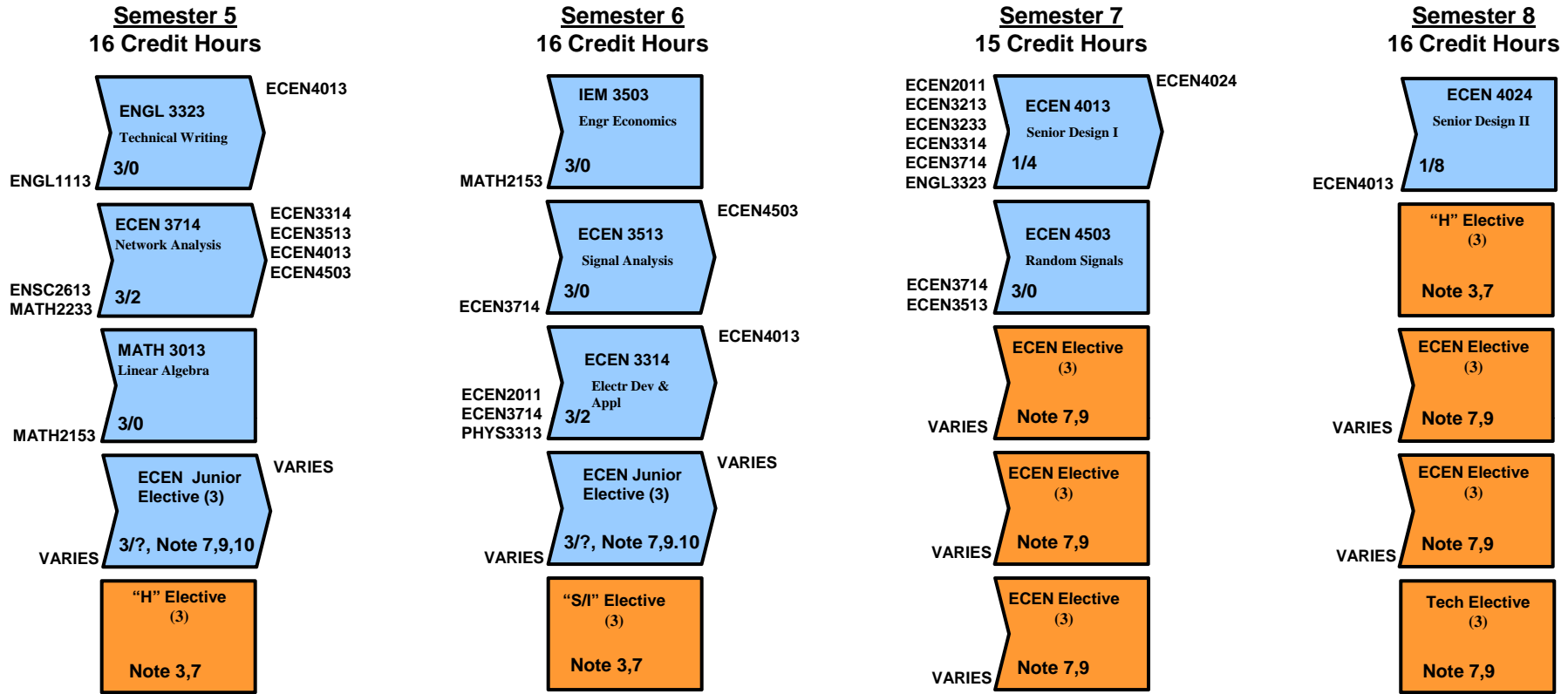


**Four Year Suggested Course Plan**

The anticipation at OSU and most institutions of higher education is that for *one* semester credit hour (SCH) the student spends one hour per week in lecture (two for lab courses) and two hours studying outside of class (one for lab courses). A three credit hour class requires, on average, nine hours per week. This study plan is recommended for students who will devote full time to university studies and do *not* have an external job, excessive extracurricular activities, or other obligations that will take more than ten hours per week.

**NOTES:**

- 1) Chemistry 1515 may be substituted for CHEM 1414 and should be taken by all students considering medical school.
- 2) Students with less than a "B" in ENGL 1113 or 1313 must take ENGL 1213 or 1413 prior to ENGL 3323.
- 3) A total of at least 6 hours designated "H" and 6 hours designated "S" are required. Of these, 3 hrs must meet the International Dimension "I" component and 3 hrs must meet the Diversity "D" component.
- 4) Either ECEN 3213 or ENSC 3213 (beginning Fall 2008) is acceptable.
- 5) CS 2433 may be taken instead of CS 2133.
- 6) General Physics I and II are key prerequisites and should be taken at the earliest possible time.
- 7) Must be at least 3 SCH.
- 8) Line indicates this course has a co-requisite and must be taken with other courses.
- 9) Must be approved by ECEN advisor and satisfy current (2008-09) Area of Specialization requirements.
- 10) Should be chosen from ECEN 3113, 3613, 3723, and 3913, not taken elsewhere.



**Professional School Entry Requirements:**

- Completion of at least 60 college level semester credit hours (SCH).
- Completion of at least 12 SCH from OSU.
- Completion of MATH 2144, 2153, 2163, 2233; PHYS 2014 and 2114; CHEM 1414; ENGR 1111, 1342; ENSC 2113, 2613, 3213 (beginning fall 2008); ECEN 2011, 3233; ENGL 1113 or 1313; CS 1113, 2133 or 2433.
- A grade of "C" or better in each of those courses listed above.
- An overall GPA of 2.6 or better at OSU.
- A GPA of 2.7, or better, in all of the college-level math, science and engineering courses required for the B.S. in Electrical Engineering.

•This flowchart is only an advising instrument. When conflicts occur, the official 2008-2009 Degree Requirement Sheet takes precedence. Always check for the most current version of this flowchart.

