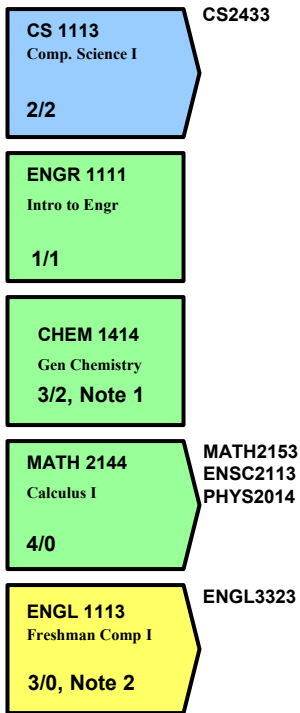
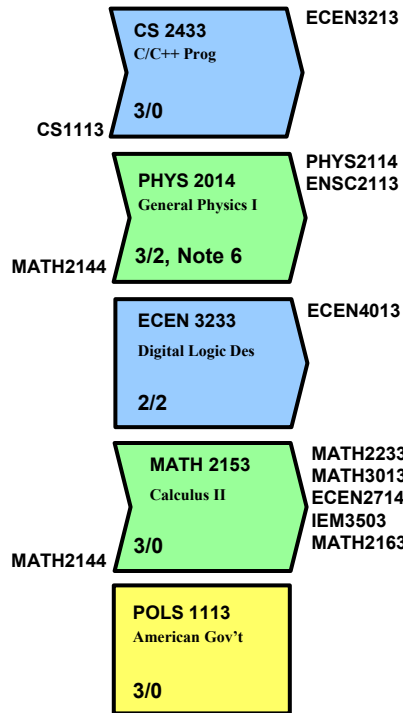


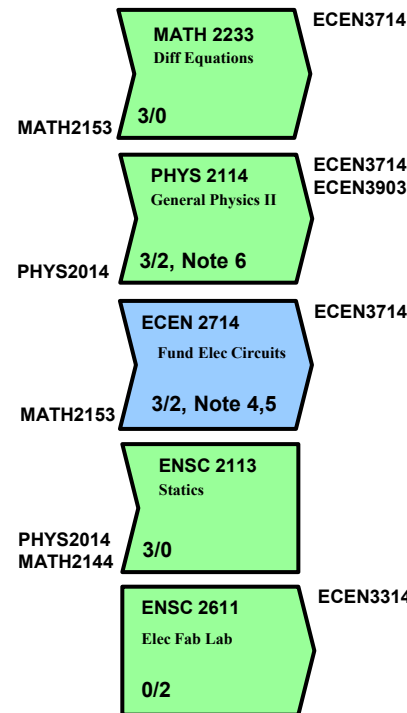
Semester 1 15 Credit Hours



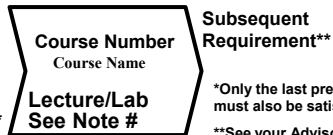
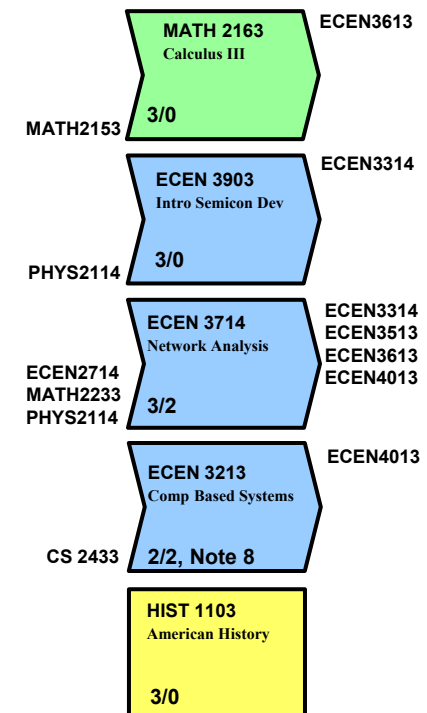
Semester 2 16 Credit Hours



Semester 3 15 Credit Hours



Semester 4 16 Credit Hours



Subsequent Requirement**

*Only the last prerequisite in a sequence is listed. All earlier prerequisites must also be satisfied before taking the course.

**See your Advisor, the ECE Advising Document, and Banner for additional information.

Prerequisites*



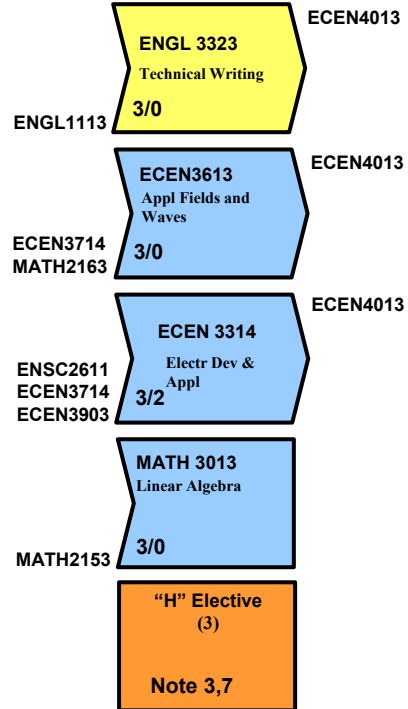
Suggested Course Plan

The anticipation at OSU and most institutions of higher education is that for one semester credit hour (SCH) the student spends one hour per week in lecture (two for lab courses) and two hours studying outside of class (one for lab courses). A three credit hour class requires about nine hours per week. This study plan is recommended for students who will devote full time to university studies and do not have excessive extracurricular activities or other obligations.

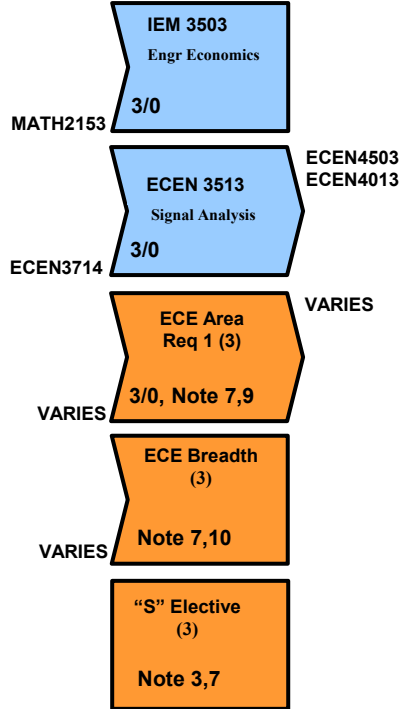
NOTES:

- 1) CHEM 1515 may be substituted for CHEM 1414 and should be taken by all students considering medical school.
- 2) Students with less than a "B" in ENGL 1113 or 1313 must take ENGL 1213 or 1413 prior to ENGL 3323.
- 3) A total of at least 6 hours designated "H" and 3 hours designated "S" is required. Of these, 3 hrs must meet the International Dimension "I" component and 3 hrs must meet the Diversity "D" component.
- 4) ECEN 2714 replaces ENSC 2613 effective fall 2018.
- 5) MATH 2233 and PHYS 2114 must be taken prior to or at the same time as ECEN 2714.
- 6) General Physics I and II are key prerequisites and should be taken at the earliest possible time.
- 7) Must be at least 3 SCH.
- 8) ECEN 3213 replaces ENSC 3213.
- 9) 12 SCH during the junior/senior year to meet ECE Area Requirement (Area Req) on the EE Course Advising Sheet.
- 10) 9 SCH during the junior/senior year to meet the ECE Breadth requirement on the EE Course Advising Sheet.
- 11) 3 SCH during the junior/senior year to meet the Controlled Elective requirement on the EE Course Advising Sheet.

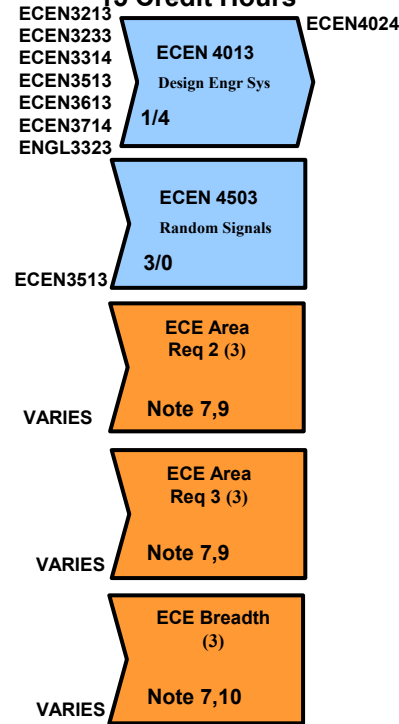
Semester 5 16 Credit Hours



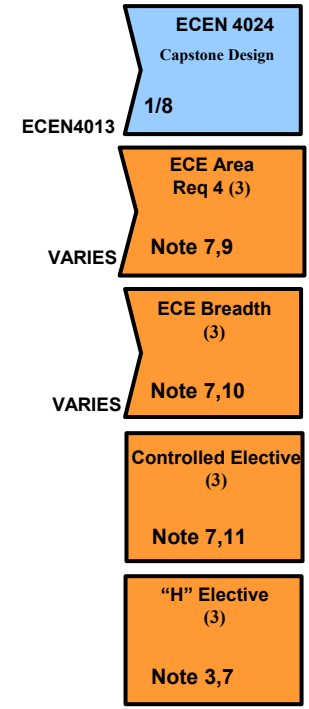
Semester 6 15 Credit Hours



Semester 7 15 Credit Hours



Semester 8 16 Credit Hours



• **This flowchart is only an advising instrument.** When conflicts occur, the official 2020-2021 Degree Requirement Sheet takes precedence. Always check for the most current version of this flowchart.

• Be sure to pay careful attention to the prerequisite requirements, grade requirements, and other official information on Banner. Some prerequisites also have minimum grade requirements. Grade requirements are not shown on this flowchart.

• Consult your Advisor if you have any questions or need clarification.

