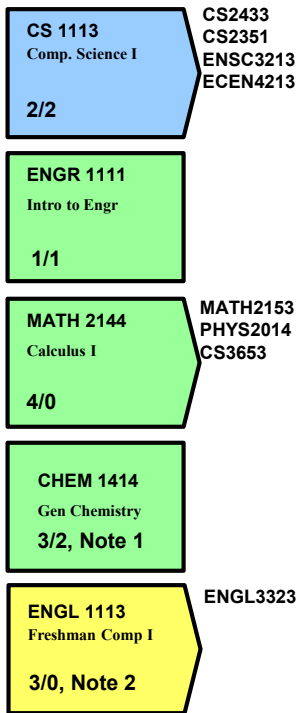
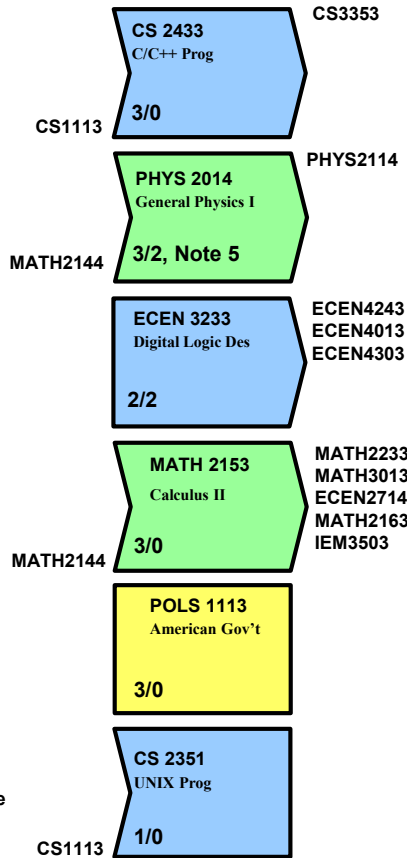


# Computer Engineering Course Plan (CpE) *Pre-Professional School* 2019-2020

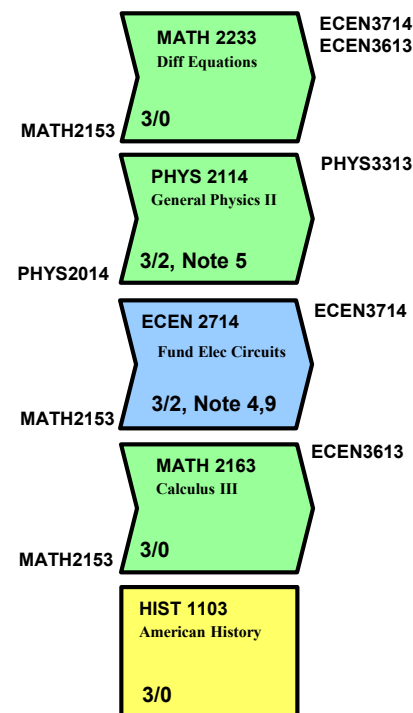
## Semester 1 15 Credit Hours



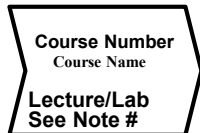
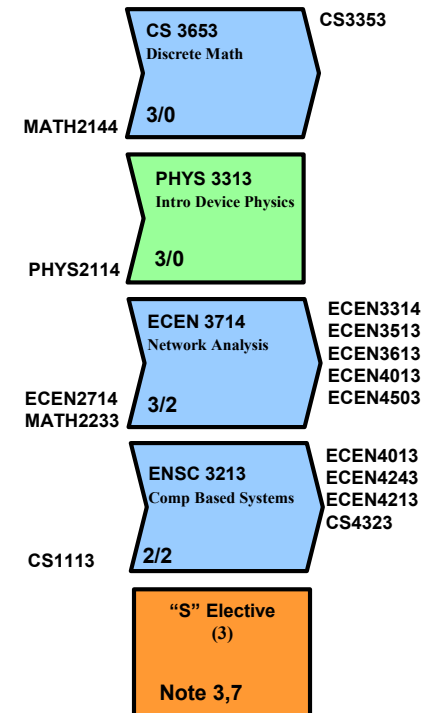
## Semester 2 17 Credit Hours



## Semester 3 17 Credit Hours



## Semester 4 16 Credit Hours



Must pass to take these courses

Prerequisites\*

\*Only the last prerequisite in a sequence is listed. All earlier prerequisites must also be satisfied before taking the course.



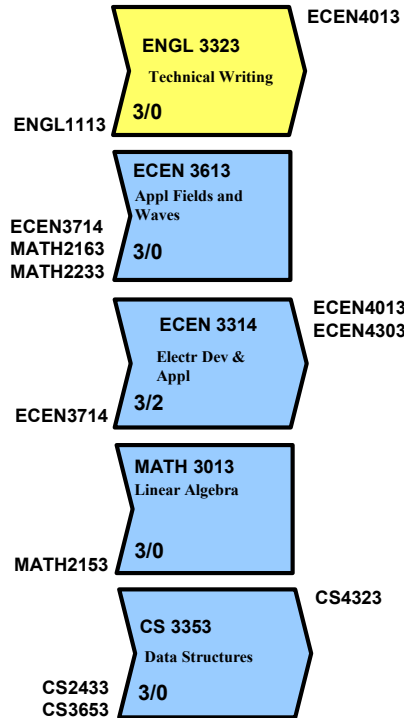
- NOTES:**
- CHEM 1515 may be substituted for CHEM 1414 and should be taken by all students considering medical school.
  - Students with less than a "B" in ENGL 1113 or 1313 must take ENGL 1213 or 1413 prior to ENGL 3323.
  - A total of at least 6 hours designated "H" and 6 hours designated "S" are required. Of these, 3 hrs must meet the International Dimension "I" component and 3 hrs must meet the Diversity "D" component.
  - ECEN 2714 replaces ENSC 2613 effective fall 2018.
  - General Physics I and II are key prerequisites and should be taken at the earliest possible time.
  - Choose from courses specified on the CpE Course Advising Sheet, section IV.
  - Must be at least 3 SCH.
  - 3 SCH during the senior year to meet the Controlled Elective requirement on the CpE Course Advising Sheet, section V.
  - MATH 2233 and PHYS 2114 must be taken prior to or at the same time as ECEN 2714.

**Suggested Course Plan**  
 The anticipation at OSU and most institutions of higher education is that for one semester credit hour (SCH) the student spends one hour per week in lecture (two for lab courses) and two hours studying outside of class (one for lab courses). A three credit hour class requires, on average, about nine hours per week. This study plan is recommended for students who will devote full time to university studies and do not have excessive extracurricular activities or other obligations.

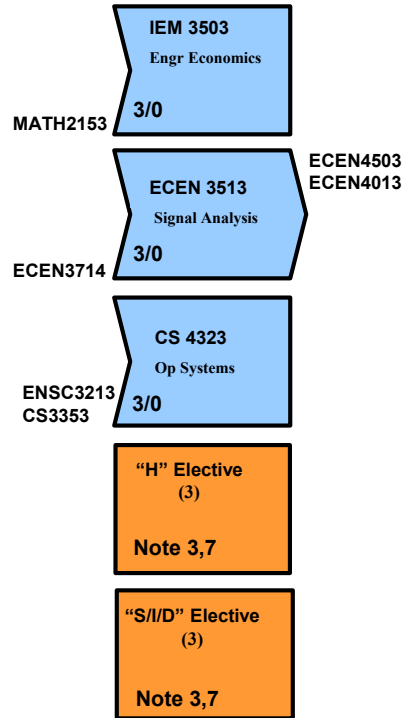
# Computer Engineering Course Plan (CpE) *Professional School*

## 2019-2020

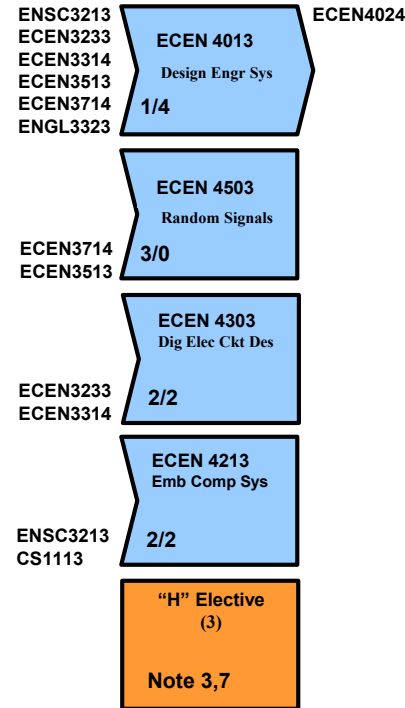
### Semester 5 16 Credit Hours



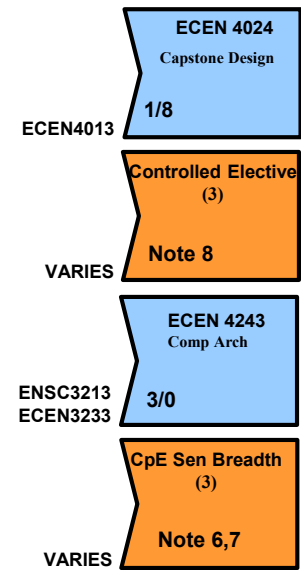
### Semester 6 15 Credit Hours



### Semester 7 15 Credit Hours



### Semester 8 13 Credit Hours



#### Professional School Entry Requirements:

- Completion of at least 60 college level semester credit hours (SCH).
- Completion of at least 12 SCH from OSU.
- Completion of MATH 2144, 2153, 2163, 2233; PHYS 2014 and 2114; CHEM 1414; ENGR 1111; ENSC 3213; ECEN 2714, 3233; ENGL 1113 or 1313; CS 1113, 2433, 2351.
- A grade of "C" or better in each of those courses listed above.
- GPA Requirements for Professional School: Technical GPA: 2.70, OSU GPA: 2.60, OSU Technical GPA: 2.70.

•This flowchart is only an advising instrument. When conflicts occur, the official 2019-2020 Degree Requirement Sheet takes precedence. Always check for the most current version of this flowchart.

•Admission to Professional School is required to take upper level ECEN-prefix courses. Please refer to the OSU Catalog corresponding to your matriculation date for detailed admission requirements.

