

# Computer Engineering Computer Engineering Course Plan (CpE) *Pre-Professional School* 2018-2019

## Semester 1 15 Credit Hours

CS 1113  
Comp. Science I  
2/2

CS2133  
CS2351  
ENSC3213  
ECEN4213

ENGR 1111  
Intro to Engr  
1/1

MATH 2144  
Calculus I  
4/0

MATH2153

CHEM 1414  
Gen Chemistry  
3/2, Note 1

ENGL 1113  
Freshman Comp I  
3/0, Note 2

ENGL3323

## Semester 2 17 Credit Hours

CS 2133  
Comp. Science II  
3/0

CS1113 CS4343

PHYS 2014  
General Physics I  
3/2, Note 5

MATH2144 PHYS2114

MATH 2153  
Calculus II  
3/0

MATH2144 MATH2233  
MATH3013  
ECEN2714  
MATH2163  
IEM3503

POLS 1113  
American Gov't  
3/0

CS 2351  
UNIX Prog  
1/0

CS1113

"H" Elective  
(3)  
Note 3,7

## Semester 3 16 Credit Hours

ECEN 3233  
Digital Logic Des  
2/2

ECEN4213  
ECEN4243  
ECEN4013  
ECEN4303

PHYS 2114  
General Physics II  
3/2, Note 5

PHYS2014 PHYS3313  
ECEN2714

MATH 2233  
Diff Equations  
3/0

MATH2153 ECEN3714  
ECEN3613

MATH 2163  
Calculus III  
3/0

MATH2153 ECEN3613

HIST 1103  
American History  
3/0

## Semester 4 16 Credit Hours

CS 3653  
Discrete Math  
3/0

MATH2144 CS4323  
CS3353

PHYS 3313  
Intro Device Physics  
3/0

PHYS2114 ECEN3314

ECEN 2714  
Fund Elec Circuits  
3/2, Note 4

MATH2153 ECEN3714  
PHYS2114 ECEN3314  
ECEN3613  
ECEN4013

ENSC 3213  
Comp Based Systems  
2/2

CS1113 ECEN4013  
ECEN4243  
ECEN4213  
CS4323

"S//D" Elective  
(3)  
Note 3,7

Course Number  
Course Name

Lecture/Lab  
See Note #

Must pass to take  
these courses

Prerequisites\* \*Only the last prerequisite in a sequence is listed. All earlier prerequisites must also be satisfied before taking the course.

OSU Requirement

CEAT Requirement

ECE Requirement

Elective

### Suggested Course Plan

The anticipation at OSU and most institutions of higher education is that for one semester credit hour (SCH) the student spends one hour per week in lecture (two for lab courses) and two hours studying outside of class (one for lab courses). A three credit hour class requires, on average, about nine hours per week. This study plan is recommended for students who will devote full time to university studies and do not have excessive extracurricular activities or other obligations.

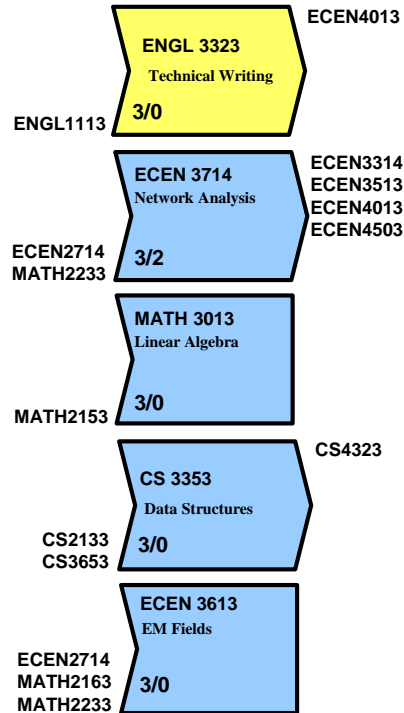
### NOTES:

- 1) CHE 1515 may be substituted for CHEM 1414 and should be taken by all students considering medical school.
- 2) Students with less than a "B" in ENGL 1113 or 1313 must take ENGL 1213 or 1413 prior to ENGL 3323.
- 3) A total of at least 6 hours designated "H" and 6 hours designated "S" are required. Of these, 3 hrs must meet the International Dimension "I" component and 3 hrs must meet the Diversity "D" component.
- 4) ECEN 2714 replaces ENSC 2613 effective fall 2018.
- 5) General Physics I and II are key prerequisites and should be taken at the earliest possible time.
- 6) Choose from courses specified on the CpE Course Advising Sheet, section IV.
- 7) Must be at least 3 SCH.
- 8) 3 SCH during the senior year to meet the Controlled Elective requirement on the CpE Course Advising Sheet, section V.

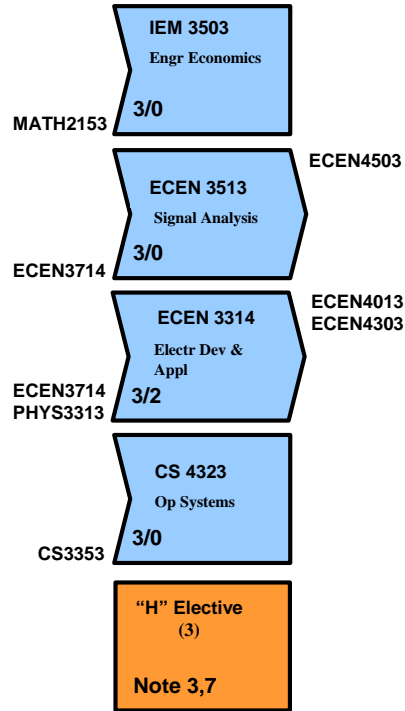
# Computer Engineering Course Plan (CpE) *Professional School*

## 2018-2019

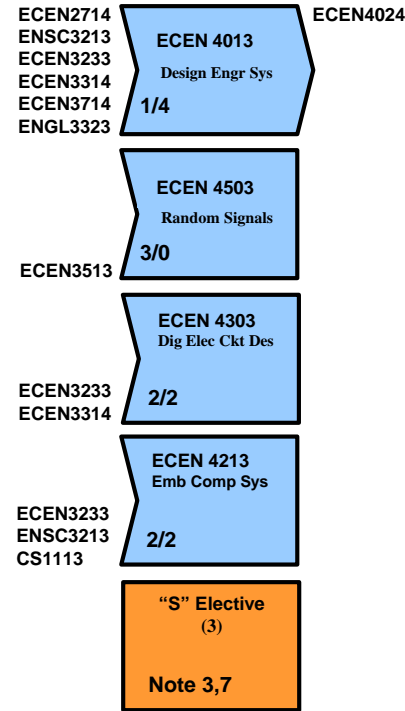
### Semester 5 16 Credit Hours



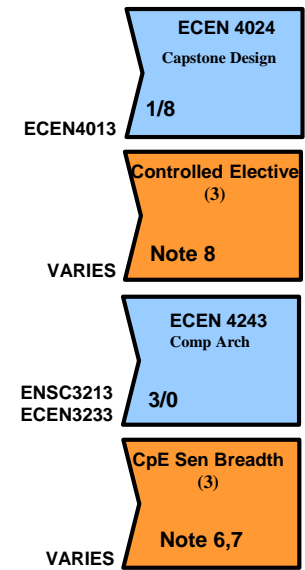
### Semester 6 16 Credit Hours



### Semester 7 15 Credit Hours



### Semester 8 13 Credit Hours

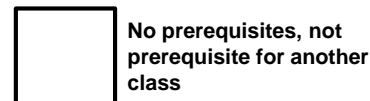


#### Professional School Entry Requirements:

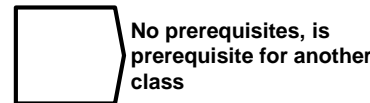
- Completion of at least 60 college level semester credit hours (SCH).
- Completion of at least 12 SCH from OSU.
- Completion of MATH 2144, 2153, 2163, 2233; PHYS 2014 and 2114; CHEM 1414; ENGR 1111; ENSC 3213; ECEN 2714, 3233; ENGL 1113 or 1313; CS 1113, 2133, 2351.
- A grade of "C" or better in each of those courses listed above.
- An overall GPA of 2.6 or better at OSU.
- GPA Requirements for Professional School: Technical GPA: 2.70, OSU GPA: 2.60, OSU Technical GPA: 2.70.

•This flowchart is only an advising instrument. When conflicts occur, the official 2018-2019 Degree Requirement Sheet takes precedence. Always check for the most current version of this flowchart.

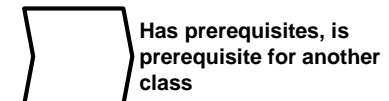
•Admission to Professional School is required to take upper level ECEN-prefix courses. Please refer to the OSU Catalog corresponding to your matriculation date for detailed admission requirements.



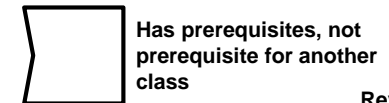
No prerequisites, not prerequisite for another class



No prerequisites, is prerequisite for another class



Has prerequisites, is prerequisite for another class



Has prerequisites, not prerequisite for another class