

# Electrical Engineering Course Plan (EE) Pre-Professional School

## 2017-2018

### Semester 1 15 Credit Hours

CS 1113  
Comp. Science I  
2/2

CS2133  
ENSC3213

ENGR 1111  
Intro to Engr  
1/1

CHEM 1414  
Gen Chemistry  
3/2, Note 1

MATH 2144  
Calculus I  
4/0

MATH2153  
ENSC2113

ENGL 1113  
Freshman Comp I  
3/0, Note 2

ENGL3323

### Semester 2 16 Credit Hours

CS 2133 / 2433  
Comp. Science II  
3/0, Note 5

CS1113

PHYS 2014  
General Physics I  
3/2, Note 6

MATH2144

PHYS2114  
ENSC2113

MATH 2153  
Calculus II  
3/0

MATH2144

MATH2233  
MATH3013  
ECEN2714  
IEM3503  
MATH2163

POLS 1113  
American Gov't  
3/0

"H" Elective  
(3)  
Note 3,7

### Semester 3 16 Credit Hours

ECEN 3233  
Digital Logic Des  
2/2

ECEN4013

PHYS 2114  
General Physics II  
3/2, Note 6

PHYS2014

PHYS3313  
ECEN2714

MATH 2233  
Diff Equations  
3/0

MATH2153

ECEN3714  
ECEN3613

MATH 2163  
Calculus III  
3/0

MATH2153

ECEN3613

HIST 1103  
American History  
3/0

### Semester 4 16 Credit Hours

PHYS 3313  
Intro Device Physics  
3/0

PHYS2114

ECEN3314

ECEN 2714  
Fund Elec Circuits  
3/2, Note x

MATH2153  
PHYS2114

ECEN3714  
ECEN3314  
ECEN3613  
ECEN4013

ENSC 2113  
Statics  
3/0

PHYS2014  
MATH2144

ENSC 3213  
Comp Based Systems  
2/2

CS1113

ECEN4013

"S" Elective  
(3)  
Note 3,7

Course Number  
Course Name

Lecture/Lab  
See Note #

Must pass to take these courses

Prerequisites\*

\*Only the last prerequisite in a sequence is listed. All earlier prerequisites must also be satisfied before taking the course.

OSU Requirement

CEAT Requirement

ECE Requirement

Elective

### Suggested Course Plan

The anticipation at OSU and most institutions of higher education is that for *one* semester credit hour (SCH) the student spends one hour per week in lecture (two for lab courses) and two hours studying outside of class (one for lab courses). A three credit hour class requires, on average, about nine hours per week. This study plan is recommended for students who will devote full time to university studies and do not have excessive extracurricular activities or other obligations.

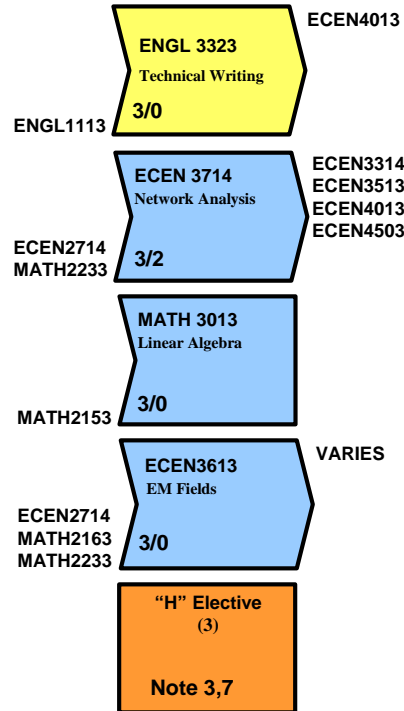
### NOTES:

- 1) CHEM 1515 may be substituted for CHEM 1414 and should be taken by all students considering medical school.
- 2) Students with less than a "B" in ENGL 1113 or 1313 must take ENGL 1213 or 1413 prior to ENGL 3323.
- 3) A total of at least 6 hours designated "H" and 6 hours designated "S" is required. Of these, 3 hrs must meet the International Dimension "I" component and 3 hrs must meet the Diversity "D" component.
- 4) (blank)
- 5) CS 2433 may be taken instead of CS 2133.
- 6) General Physics I and II are key prerequisites and should be taken at the earliest possible time.
- 7) Must be at least 3 SCH.
- 8) 3 SCH chosen from the Area (Prereq) Requirement on the EE Course Advising Sheet.
- 9) 9 SCH during the senior year to meet Area (Depth) Requirement on the EE Course Advising Sheet.
- 10) 6 SCH during the senior year to meet the Senior Breadth requirement on the EE Course Advising Sheet.
- 11) 3 SCH during the senior year to meet the Controlled Elective requirement on the EE Course Advising Sheet.

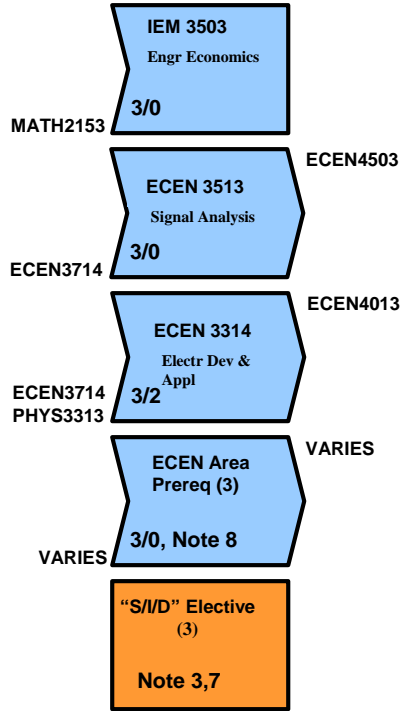
# Electrical Engineering Course Plan (EE) *Professional School*

## *2017-2018*

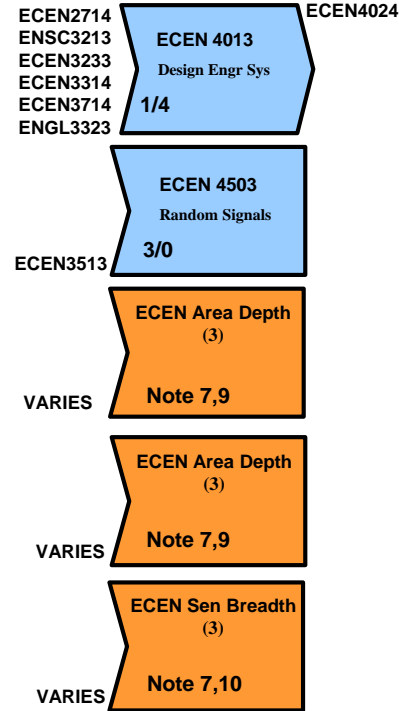
### Semester 5 16 Credit Hours



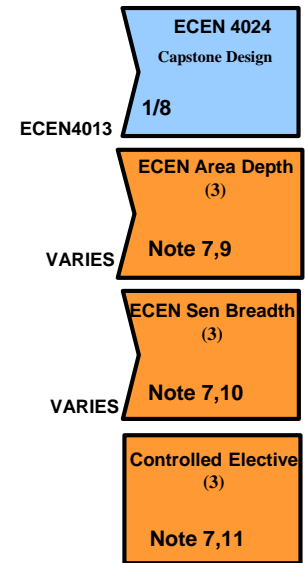
### Semester 6 16 Credit Hours



### Semester 7 15 Credit Hours



### Semester 8 13 Credit Hours



#### Professional School Entry Requirements:

- Completion of at least 60 college level semester credit hours (SCH).
- Completion of at least 12 SCH from OSU.
- Completion of MATH 2144, 2153, 2163, 2233; PHYS 2014 and 2114; CHEM 1414; ENGR 1111; ENSC 2113, 3213; ECEN 2714, 3233; ENGL 1113 or 1313; CS 1113, 2133 or 2433.
- A grade of "C" or better in each of those courses listed above.
- An overall GPA of 2.6 or better at OSU.
- A GPA of 2.7, or better, in all of the college-level math, science and engineering courses required for the B.S. in Electrical Engineering.

•This flowchart is only an advising instrument. When conflicts occur, the official 2017-2018 Degree Requirement Sheet takes precedence. Always check for the most current version of this flowchart.

•Admission to Professional School is required to take upper level ECEN-prefix courses. Please refer to the OSU Catalog corresponding to your matriculation date for detailed admission requirements.

